



Electronic and mechanical parts well protected from weather conditions

Easy maintenance thanks to the horizontal control unit position

With fixing plate included

Sturdy and performing motors



## CONTROL UNIT CT10324

**+ CT10324** New 5-character / 16-segment display for more natural and intuitive reading



**+ KUBEPRO** Optional programming with KUBE PRO wireless module (from Firmware version 2.0 and new smartphone app to be released in July 2024).



### MODELS

CODE	DESCRIPTION
  <b>TU4324</b>	For sliding gates up to 400 kg, 24 Vdc motor, control unit CT10324. Residential use

### KIT MODELS

CODE	DESCRIPTION
 <b>KTU4324</b>	Kit for sliding gates up to 400 kg, 24 Vdc motor with mechanical limit switches, CT10324 control unit with 4m rack. Residential use.
 <b>KTU4324AU</b>	Kit for sliding gates up to 700 kg, 24 Vdc motor with mechanical limit switches, CT10324 control unit without 4m rack. Residential use.

## TECHNICAL DATA

## DIMENSIONS

### TU4324

#### MECHANICAL DATA

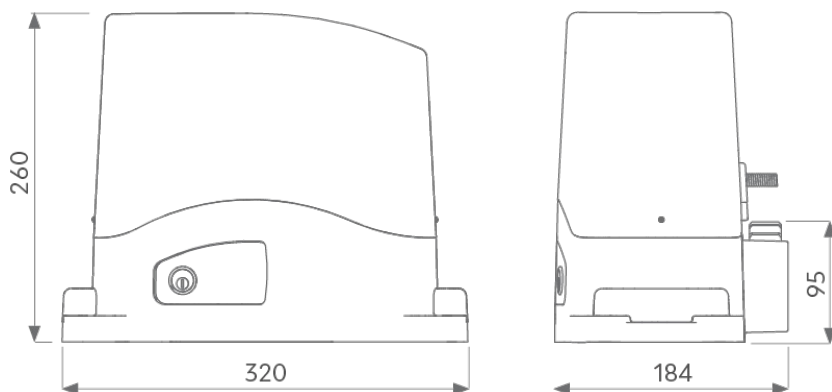
speed	cm/s	24
torque	Nm	12
cycles/hour*		40

#### ELECTRICAL DATA

control board		CT10324
automation power supply	Vac	230
frequency	Hz	50/60
motor power supply	Vdc	24
consumption	A	1,1
absorbed power	W	250

#### GENERIC DATA

protection degree	IP	44
dimensions (L - D - H)	mm	320 - 184 - 260
weight	kg	10,5
working temperature	°C	-20 + 55
gate maximum weight	kg	400



\*The cycles per hour indicated are based on a standard door with a length of 2 m and a weight of 200 kg at an ambient temperature of 20 °C

## ACCESSORIES



**RN800 \***  
M4 nylon rack L=1000 mm  
for gates up to 800 kg



**CREM-8 \*\***M4 zinc  
coated rack 30x8 mm  
L=1000 mm



**CREM-12 \*\***M4 zinc coated rack  
30x12 mm L=1000 mm



**RX4K** 4-channel plug-in receiver,  
433MHz, for CT202 control unit



**KUBEPRO** Wireless programming  
module (only 24v)



**KUBE** Wireless controlling  
module for end user (only 24v)



**FT43** Pair of photocells  
for external use  
adjustable through 180



**FT43B** Pair of photocells for  
external use adjustable through  
180, battery version



**FT33** Pair of photocells for  
external use, flush mounting



**RP25K** Reflective photocells



**ECLIPSE** Led flashing with  
courtesy light, crepuscular  
sensor and built-in antenna



**SEL-R** Wireless keypad  
transmitter, 433MHz



**EGKTR1** Wireless keypad  
transmitter, EGO series 433MHz



**TO1M** 1-channel touch  
transmitter, rolling code 433MHz



**KPLAY4R** Kit with 2x 4-channel  
433 MHz transmitters, rolling  
code



**SUB remotes** Water and dust  
resistant 433MHz  
transmitters, rolling code



**KSOLAU** Solar kit,  
includes 30W panel,  
recharge unit in  
enclosure, mounting  
brackets and batteries



**SPLIT24V** Low Voltage box



**KBPN** Kit of 1.3 Ah NiMH battery  
and battery charger



**RXM23Y** 2-channel universal  
receiver, fix or rolling code

\* pack of 10 pcs  
\*\* pack of 4 pcs