

SUN UP TO 1100 KG, 24 VDC WITH INTEGRATED NIGHT LIGHT SYSTEM



Stylish design screwless at sight

Extremely silent mechanics

Built-in LED light

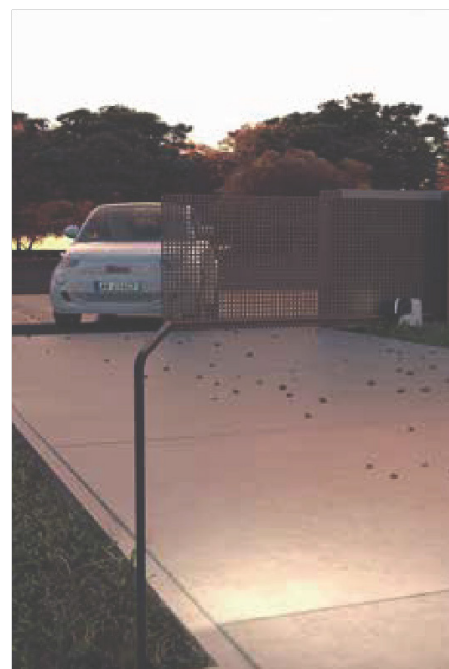
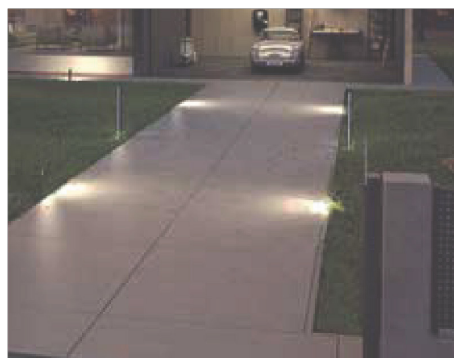
High technological materials resistant to weather conditions

SUN FAST: Opening speed up to 40 cm/sec

NIGHT LIGHT SYSTEM

Concept that combines the comfort of an automatic gate with the use of LED lighting to illuminate your entrance over night

- + **SAFETY** Ease the night vision
- + **COMFORT** Defines the driveway passage during the night Allows
- + **SAVING** lower power consumption

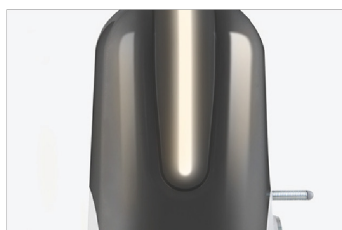


MODELS

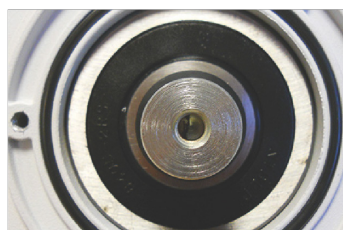
CODE	DESCRIPTION
SUN5024F	For sliding gates up to 500 Kg, 24 Vdc fast motor, control unit 14A with slowdown and magnetic limit switch
SUN11024	For sliding gates up to 1100 Kg, 24 Vdc motor, control unit 14A with slowdown and electric limit switch



Stylish design screwless at sight



Built-in LED light




Robust gear reduction with self-standing bearing



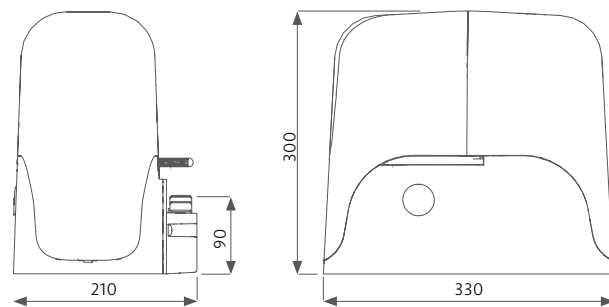
Manufactured inhouse in KEY Italy

TECHNICAL DATA

		SUN5024F	SUN11024
MECHANICAL DATA			
speed	cm/s	40*	20*
torque	Nm	23	38
working cycle	%	80	80
ELECTRICAL DATA			
control board		14AF 	14A
power	Vac	230	230
consumption	A	1,3	1,8
absorbed power	W	300	360
capacitor	µF	-	-
thermoprotection	°C	-	-
integrated lights		yes	yes
GENERIC DATA			
protection degree	IP	44	44
dimensions (L - D - H)	mm	330 - 210 - 300	
weight	kg	13,5	14,5
working temperature	°C	-20 + 55	-20 + 55
gate maximum weight	Kg	500	1100

* variable according to the gate weight Models of 700 kg and upward are recommended for condominium installations

DIMENSIONS



ACCESSORIES



RN800 *M4 nylon rack
L=1000 mm for gates up to 800 kg



CREM-8 ** M4 zinc coated rack
30x8 mm L=1000 mm



CREM-12 ** M4 zinc coated rack
30x12 mm L=1000 mm



TWIN Iinterface for master/slave function (SUN5024F, SUN7024 and SUN11024) PC 1



KCS Unlock kit with key



SUB remotes Water and dust resistant 433MHz transmitters, rolling code



DYL Programming module Cable length 120 cm (only 14A board)



KUBE PRO Wireless module for programming



KUBE Wireless controlling module for end user



RX4K 4-channel plug-in receiver, 433MHz, for 14A control unit



KPLAY4R Kit with 2x 4-channel 433 MHz transmitters, rolling code



FT43 Pair of photocells for external use adjustable through 180



FT43B Pair of photocells for external use adjustable through 180, battery version



FT33 Pair of photocells for external use, flush mounting



RP25K Reflective photocells



ECLIPSE Led flashing with courtesy light, crepuscular sensor and built-in antenna



SEL-R Wireless keypad transmitter, 433MHz



EGKTR1 Wireless keypad transmitter, EGO series 433MHz



TO1M 1-channel touch transmitter, rolling code 433MHz



RXM23Y 2-channel universal receiver, fix or rolling code



KBP Kit of 1.3 Ah lead battery and battery charger



KSOLAU Solar kit, includes 30W panel, recharge unit in enclosure, mounting brackets and batteries



SPLIT24V Low Voltage box



EG100LA 100cm post with LED and houses accessories



STIKDD Outdoor lighting range, downward facing